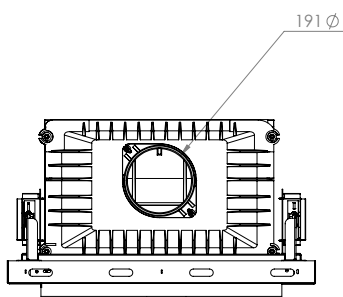
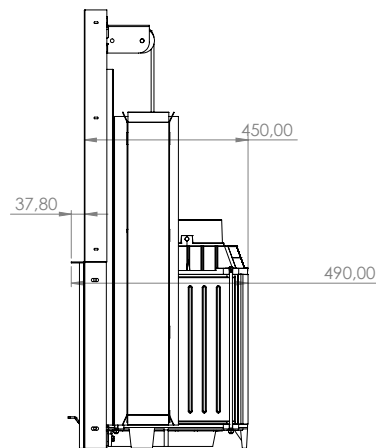
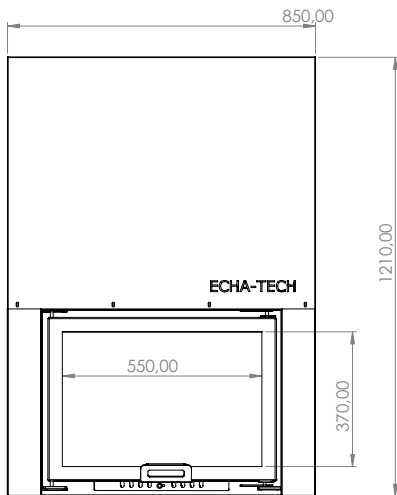


# FONT 700 G



Model	FONT 700 G
Nominal power (kW)	19
Heating power range (kW)	7 - 20
Heating efficiency (%)	85
Weight (kg)	200
Material	Cast
Fuel type	Wood
Exhaust outlet diameter (mm)	200
Exhaust gas temperature (°C)	250
Max Wood Length (cm)	50
Glass	Ceramic
Stone	-
Warranty (Year)	5

## Technical drawing



## Certificates

